

### FEATURES

- Compact aluminium flanged bodied dual flow valves for petrol vending applications
- Minimum operating differential pressure 0,35 bar
- Explosion proof operators, intended for use in potential explosive areas, according to Directive ATEX 94/9/EC
- Easy electrical installation by means of the moulded-in supply cable, standard length 2 meter
- ASCO Numatics components satisfy all relevant EC directives

### GENERAL

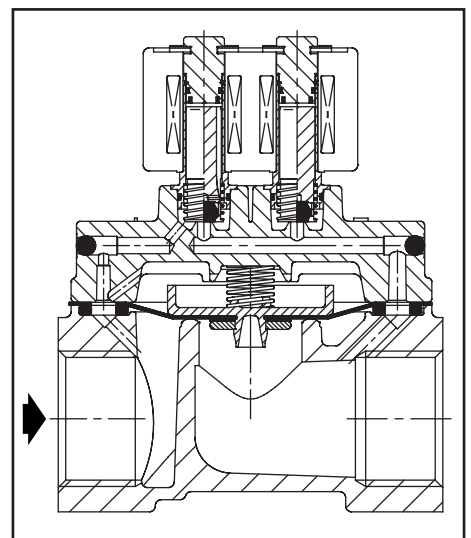
**Differential pressure** 0,35 - 3,5 bar [1 bar = 100kPa]  
**Ambient temperature range** AC: -40 to +65°C  
 DC: -40 to +40°C

fluids (*)	temperature range (TS)	seal materials (*)
Petrol & Liquid fuels	-40 to +40°C	NBR (nitrile)

### MATERIALS IN CONTACT WITH FLUID

(\*) Ensure that the compatibility of the fluids in contact with the materials is verified

<b>Body</b>	Aluminium
<b>Core tube</b>	Stainless steel
<b>Core and plugnut</b>	Stainless steel
<b>Springs</b>	Stainless steel
<b>Seat</b>	Aluminium
<b>Sealing</b>	NBR
<b>Disc &amp; O-Rings</b>	FPM
<b>Diaphragm Support</b>	POM
<b>Shading Ring (AC only)</b>	Copper



### ELECTRICAL CHARACTERISTICS

**Coil insulation class** F  
**Electrical safety** IEC 335  
**Standard voltages** DC (=) 24V - 48V;  
 AC (~) 24V - 48V - 115V - 230V / 50 Hz

prefix option	power ratings		operator ambient temperature range (TS) (C°)	safety code	electrical enclosure protection (EN 60529)	replacement coil		type <sup>(1)</sup>
	holding ~	hot/cold =				~	=	
	(W)	(W)				230V/50/60 Hz	24V/DC	
PV	4,0	5,0 / 6,9	-40 to +40/65	II 2 G Ex mb II T3	moulded IP67	-	<sup>(2)</sup>	01 & 02

- <sup>(1)</sup> Refer to the dimensional drawings on page 14  
<sup>(2)</sup> Multiple coils kits available under ATEX, contact us  
 - Not available

### SPECIFICATIONS

pipe size	orifice size		flow coefficient Kv				operating pressure differential (bar)			prefix optional solenoids *						basic catalogue number	
	Low	High	Low		High	min	max. PS		NEMA 7&9	ATEX / IECEx				IP65			
			(m³/h)	(l/min)			(m³/h)	(l/min)		~	=	EF	Ex d		Ex e mb		Ex mb
Rp	(mm)	(mm)	(m³/h)	(l/min)	(m³/h)	(l/min)											
<b>NC - Normally closed</b>																	
3/4	2,5	19	0,10	1,7	7,3	122	0,35	3,5	3,5	-	-	-	●	-	-	-	E292A021
3/4	2,5	25	0,12	2,0	9,5	158	0,35	3,5	3,5	-	-	-	●	-	-	-	E292B022
1	2,5	25	0,12	2,0	11,5	192	0,35	3,5	3,5	-	-	-	●	-	-	-	E292B023

- Available feature  
 - Not available  
 \* For description of solenoids see pages 31-40

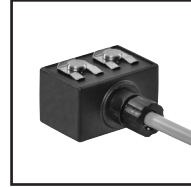
### INSTALLATION

- The valves can be mounted in any position without affecting operation
- Pipe connection identifiers: E = pipe thread according to ISO 7/1
- Installation/maintenance instructions are included with each valve
- PV solenoids have a standard cable length of 2 meters. Other lengths in full meters are available on request

### DIMENSIONS (mm), WEIGHT (kg)



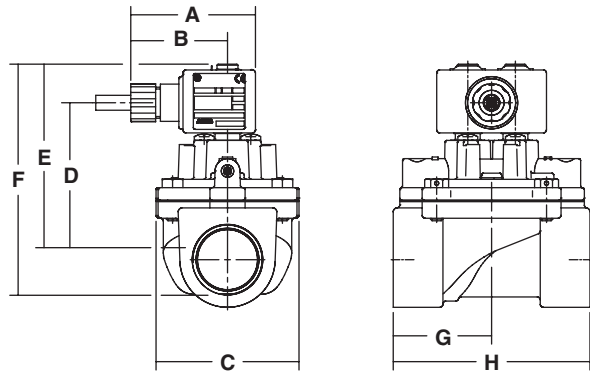
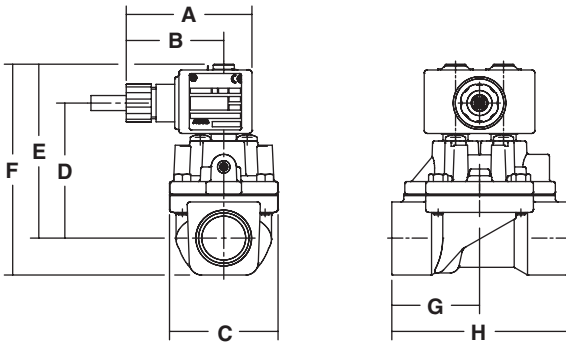
**TYPE 01**  
 Prefix "PV" Solenoid  
 Epoxy encapsulated  
 EN-IEC 60079-0, 60079-18, 61241-0, 61241-18  
 II 2 G/D Ex mb II / Ex mD  
 IP67



**TYPE 02**  
 Prefix "PV" Solenoid  
 Epoxy encapsulated  
 EN-IEC 60079-0, 60079-18, 61241-0, 61241-18  
 II 2 G/D Ex mb II / Ex mD  
 IP67

E293A021

E293B022 / B023



type	AC/DC	prefix option	catalogue number	spare parts kits	A	B	C	D	E	F	G	H	weight
01	~ / =	PV	E292A021	320179	60	47	52	65	83	101	42	84	1,0 Kg
02	~ / =		E292B022	320180 / 320196	60	47	69	70	89	112	48	95	1,0 Kg
	~ / =		E292B023	320180 / 320196	60	47	69	70	89	112	48	95	1,0 Kg